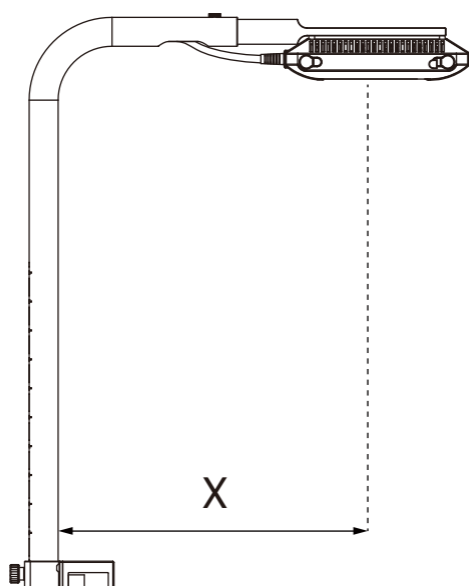


Extended Slide Bar Quick Start Guide

For AP700/A360/A160

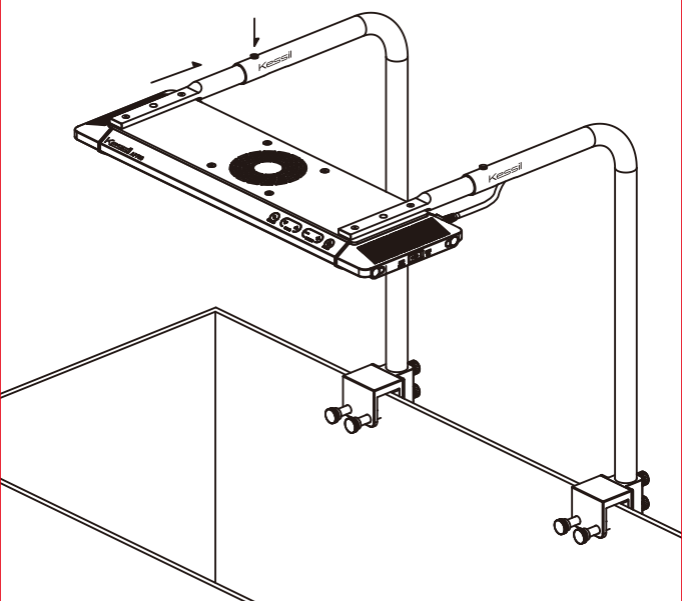
Aquarium Width
25" - 32"



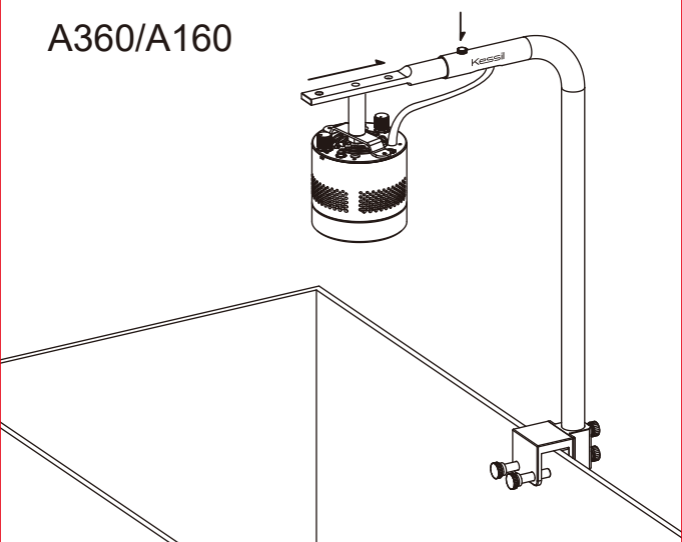
Length X should be half of your aquarium width.
For 25" width, $X=12\ 1/2"$; For 32" width, $X=16"$.

AP700

2 units required for AP700



A360/A160



KSASB02



Made in Taiwan